

GS26MLX MBP Compressor R404A/R507 220-240V 50Hz

General

| | |
|-----------------------|---------------|
| Code number | 107B0503 |
| Approvals | EN 60335-2-34 |
| Compressors on pallet | 48 |

Application

| Application | MBP | | |
|--|-----|------------|----|
| Frequency | Hz | 50 | 60 |
| Evaporating temperature | °C | -20 to 7.2 | - |
| Voltage range | V | 198 - 254 | - |
| Max. condensing temperature continuous (short) | °C | 50 (60) | - |
| Max. winding temperature continuous (short) | °C | 125 (135) | - |

Cooling requirements

| Frequency | Hz | 50 | | | 60 | | |
|-------------------------|----|-----|----------------|-----|-----|-----|-----|
| Application | | LBP | MBP | HBP | LBP | MBP | HBP |
| 32°C | | - | F ₂ | - | - | - | - |
| 38°C | | - | F ₂ | - | - | - | - |
| 43°C | | - | F ₂ | - | - | - | - |
| Remarks on application: | | | | | | | |

Motor

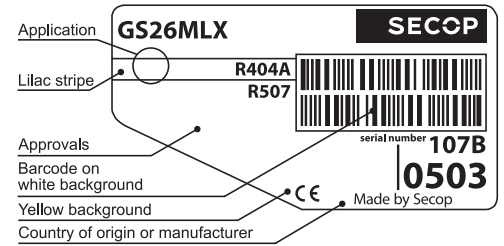
| Motor type | CSR | | |
|---|-----|------|-----|
| LRA (rated after 4 sec. UL984), HST LST | A | 34.6 | - |
| Cut in Current, HST LST | A | 34.6 | - |
| Resistance, main start winding (25°C) | Ω | 1.7 | 8.1 |

Design

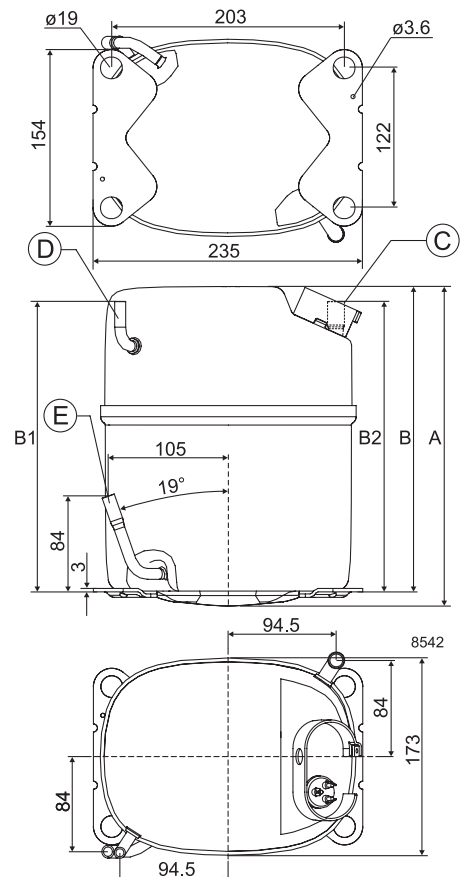
| | | |
|-------------------------------------|-----------------|-------------------|
| Displacement | cm ³ | 26.30 |
| Oil quantity (type) | cm ³ | 900 (polyolester) |
| Maximum refrigerant charge | g | 2000 |
| Free gas volume in compressor | cm ³ | 3670 |
| Weight without electrical equipment | kg | 21.4 |

Dimensions

| | | | |
|----------------------|--------------------------|----|------------------------------|
| Height | mm | A | 279 |
| | | B | 267 |
| | | B1 | 254 |
| | | B2 | 254 |
| Suction connector | location/I.D. mm angle | C | 16.1 90° |
| | material comment | | Copper Rubber plug |
| Process connector | location/I.D. mm angle | D | 6.5 90° |
| | material comment | | Copper Rubber plug |
| Discharge connector | location/I.D. mm angle | E | 9.7 19° |
| | material comment | | Copper Rubber plug |
| Oil cooler connector | location/I.D. mm angle | F | - |
| | material comment | | - |
| Connector tolerance | I.D. mm | | 16.1±0.15, 9.7±0.1, 6.5±0.10 |
| Remarks: | | | |



- S = Static cooling normally sufficient
- O = Oil cooling
- F₁ = Fan cooling 1.5 m/s
(compressor compartment temperature equal to ambient temperature)
- F₂ = Fan cooling 3.0 m/s necessary
- SG = Suction gas cooling normally sufficient
- = not applicable in this area



EN 12900

220V, 50Hz, fan cooling F₂

| | | | | | | | | | | | | | | | | | |
|--------------------|-----|-----|-----|-----|-----|-------|------|------|------|------|------|------|------|------|----|----|----|
| Evap. temp. in °C | -45 | -40 | -35 | -30 | -25 | -23.3 | -20 | -15 | -10 | -6.7 | -5 | 0 | 5 | 7.2 | 10 | 15 | 20 |
| Capacity in W | | | | | | | 1426 | 1810 | 2254 | 2586 | 2764 | 3351 | 4022 | 4345 | | | |
| Power cons. in W | | | | | | | 993 | 1105 | 1213 | 1284 | 1319 | 1424 | 1532 | 1581 | | | |
| Current cons. in A | | | | | | | 5.07 | 5.56 | 6.05 | 6.39 | 6.55 | 7.06 | 7.57 | 7.80 | | | |
| COP in W/W | | | | | | | 1.44 | 1.64 | 1.86 | 2.01 | 2.10 | 2.35 | 2.62 | 2.75 | | | |

ARI 540-99 (MBP)

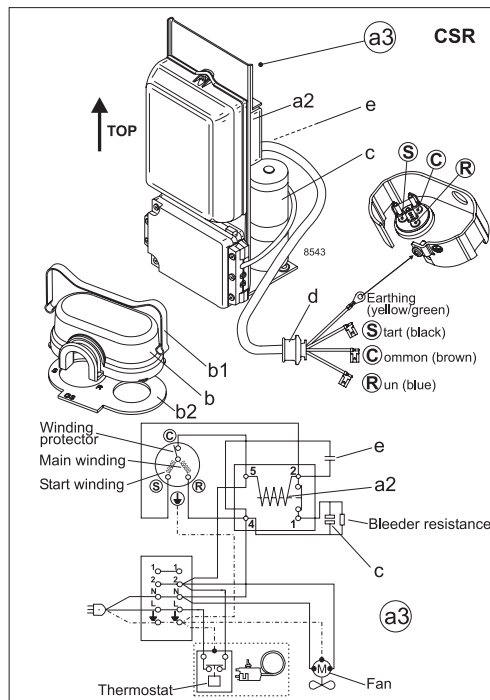
220V, 50Hz, fan cooling F₂

| | | | | | | | | | | | | | | | | | |
|--------------------|-----|-----|-----|-----|-----|-------|------|------|------|------|------|------|---|-----|----|----|----|
| Evap. temp. in °C | -45 | -40 | -35 | -30 | -25 | -23.3 | -20 | -15 | -10 | -6.7 | -5 | 0 | 5 | 7.2 | 10 | 15 | 20 |
| Capacity in W | | | | | | | 1222 | 1559 | 1945 | 2234 | 2389 | 2899 | | | | | |
| Power cons. in W | | | | | | | 1009 | 1133 | 1251 | 1327 | 1365 | 1479 | | | | | |
| Current cons. in A | | | | | | | 5.15 | 5.68 | 6.21 | 6.57 | 6.74 | 7.29 | | | | | |
| COP in W/W | | | | | | | 1.21 | 1.38 | 1.56 | 1.68 | 1.75 | 1.96 | | | | | |

ARI 540-99 (HBP)

220V, 50Hz, fan cooling F₂

| | | | | | | | | | | | | | | | | | |
|--------------------|-----|-----|-----|-----|-----|-------|------|------|------|------|------|------|------|------|----|----|----|
| Evap. temp. in °C | -45 | -40 | -35 | -30 | -25 | -23.3 | -20 | -15 | -10 | -6.7 | -5 | 0 | 5 | 7.2 | 10 | 15 | 20 |
| Capacity in W | | | | | | | 1112 | 1430 | 1792 | 2062 | 2206 | 2682 | 3227 | 3494 | | | |
| Power cons. in W | | | | | | | 1032 | 1173 | 1307 | 1393 | 1436 | 1563 | 1691 | 1748 | | | |
| Current cons. in A | | | | | | | 5.26 | 5.84 | 6.43 | 6.82 | 7.01 | 7.61 | 8.21 | 8.48 | | | |
| COP in W/W | | | | | | | 1.08 | 1.22 | 1.37 | 1.48 | 1.54 | 1.72 | 1.91 | 2.00 | | | |



| Accessories for GS26MLX | Figure | Code number | Test conditions | EN 12900 | ARI 540-99 (MBP) | ARI 540-99 (HBP) |
|--|--------|-------------------------------|-----------------------------|---------------|------------------|------------------|
| Starting device 600 mm cable length | a3 | 117-7072 | Condensing temperature | 45°C | 48.9°C | 54.4°C |
| | | | Ambient temperature | 32°C | 35°C | 35°C |
| | | | Suction gas temperature | 20°C | 4.4°C | 18.3°C |
| | | | Liquid temperature | no subcooling | no subcooling | no subcooling |
| Cover | b | 107B9101 *) | | | | |
| Clamp | b1 | 107B9104 *) | | | | |
| Gasket | b2 | 107B9100 *) | | | | |
| Starting relay | a2 | Components of starting device | Mounting accessories | | | |
| Start. capacitor | c | | Code number | | | |
| Run capacitor | e | | 107B9150 | | | |
| *) Remarks: Cover, clamp, gasket parts of compressor | | | Bolt joint for one comp. | - | | |
| | | | Bolt joint in quantities | - | | |
| | | | Snap-on in quantities | - | | |

Nidec GA Compressors accepts no responsibility for possible errors in catalogs, brochures, and other printed material. Nidec GA Compressors reserves the right to alter its products without notice. This also applies to products already on order provided that such alterations can be made without consequential changes being necessary to specifications already agreed. All trademarks in this material are the property of the respective companies. Secop and the Secop logotype are trademarks of Nidec Global Appliance Germany GmbH. All rights reserved. www.secop.com