

PROPlus Basic / CAMCtrl Basic

For single-phase and three-phase condensing and evaporator units

Description

PROPlus Basic/CAMCtrl Basic has been desing for managing cold rooms, both above and below freezing, in conjunction with:

- Standard condensing units
- Fully enclosed condensation
- As a service panel in decentralised systems

AKO-15645 / AKO-15648: Electronic panels with overall 16 A thermo-magnetic protection, for controlling cold rooms with the following components:

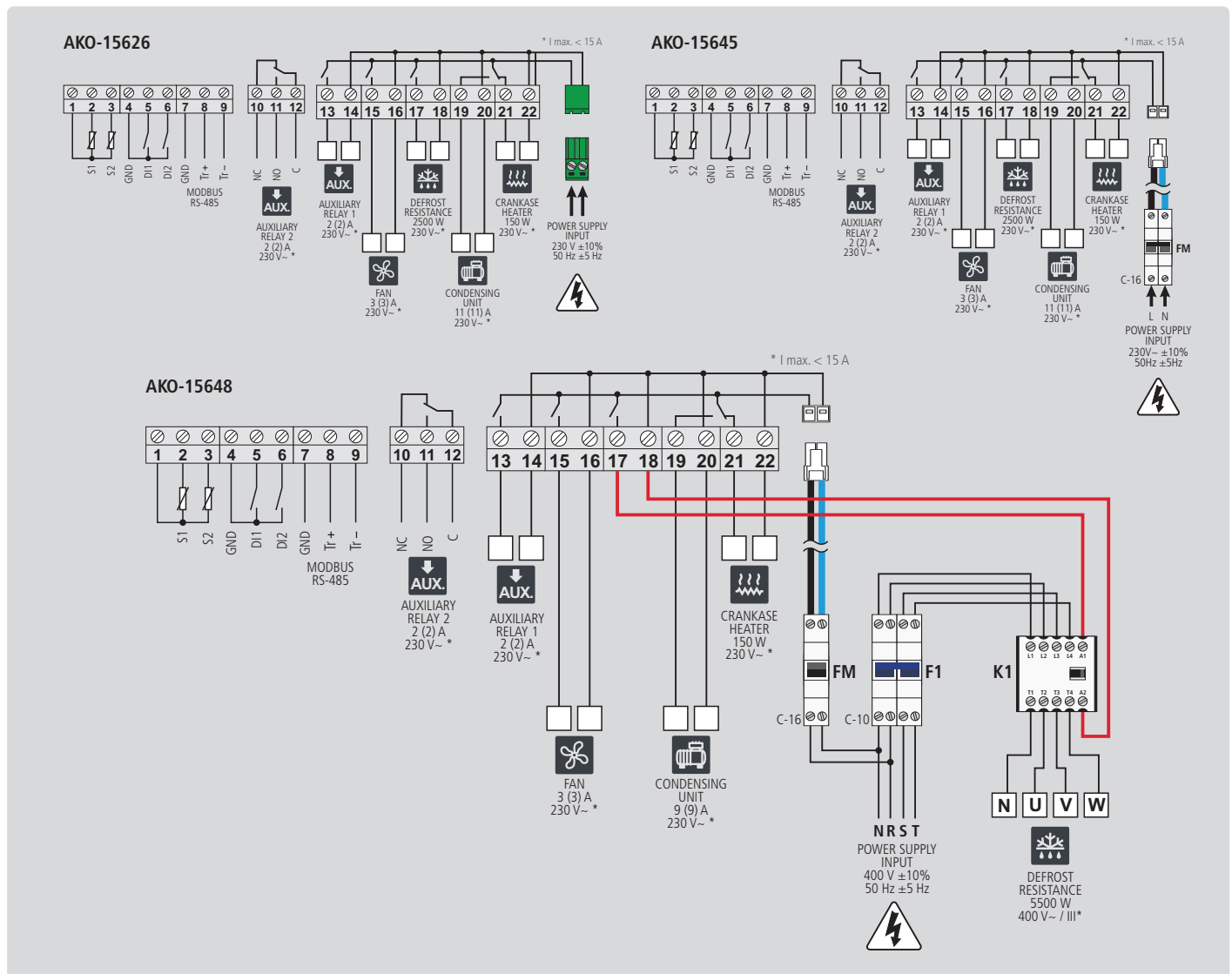
- Compressor (Up to 2 HP) / liquid solenoid
- Single-Phase evaporator fans
- Defrost by air/time or electrical (refer to reference chart)

AKO-15626: Electronic panel for controlling cold rooms with the following components:

- Compressor (Up to 2 HP) / liquid solenoid
- Single-phase evaporator fans
- Defrost by air/time or electrical (2.500W 230V/I)



Wiring diagram



Features

- Inputs: 2 NTC probes (one included)
2 configurable digital inputs
- Temperature range: -50 °C to 99.9 °C
- Outputs: 5 relays (COMP, DEFROST, FAN, AUX1 and AUX2)
- 2 configurable relays: AUX1 (light / solenoid) AUX2 (Alarm / light)
- HOTKEYS: Fast access to most used functions
- Big display with 3 digits and 9 function icons
- Communication: Integrated RS-485
- Alarm signalling: buzzer and relay
- Password protection to avoid undesired manipulations
- IP65 protection
- Dimensions: 230 x 230 x 90 mm

Advantages

- Facility fast configuration menu: 1: With pump down
2: Without pump down
- Defrost by time/air or resistors gives you full flexibility and efficient energy management of your facility
- Easy access to thermo-magnetic circuit breaker, thanks to its frontal arrangement
- Comprehensive functionality for managing cold rooms with fully enclosed condensing units
- Keep on working even with broken probe
- AKONet monitoring software compatible

Versions and references

MODELS	DESCRIPTION	POWER SUPPLY	COND. UN. 230 V/I	EVAP. FAN 230 V/I	DEFROST		CIRCUIT BREAKER PROTECTION	MODBUS COMM.
					230 V/I	400 V/III		
AKO-15626	CAMCtrl Basic	230 V ±10% 50 Hz ±5 Hz	11 A	3 A	2.500 W	-	No	Yes
AKO-15645	PROPlus Basic 1F						16 A	
AKO-15648	PROPlus Basic 3F	400 V ±10% 50 Hz ±5 Hz	9 A		-	5.500 W	16 A (Power Supply) 10 A / III (Defrost)	